



CABLE 090 RF: RF CABLE ASSEMBLY, IPEX MHF + RP SMA BULKHEAD JACK WITH O-RING + MULTIPLE CABLE SIZES

SPECIFICATIONS :

1. IPEX MHF PLUG (SEE CHART FOR P/N)
2. MIT COAXIAL CABLE (SEE CHART FOR DETAIL)
3. RP SMA BULKHEAD JACK WITH O-RING (SEE CHART FOR P/N)

NOTES:

1. THE ORIENTATION OF CONNECTORS ON DRAWING IS FOR REFERENCE ONLY, IF THE ORDER IS LEFT BLANK THE CONNECTOR WILL NOT HAVE FIXED ORIENTATION.
2. FIXED ORIENTATION IS SUGGESTED FOR CABLE LENGTH 25MM TO 100MM. PLEASE SPECIFY THE FIXED ORIENTATIONS FROM THE ORDER CODE (F1, F2, ETC)
3. CONTACT GRAD CONN IF THE ORIENTATION YOU REQUIRE IS NOT SHOWN.
4. WORKING FREQUENCY RANGE: DC-6GHz
5. OPERATING TEMPERATURE: -40°C TO +90°C
6. IMPEDANCE: 50 OHM.

USAGE PRECAUTIONS: CABLES USING 'MICRO' COAX ARE DELICATE:

- (i) HANDLE WITH CARE.
- (ii) DO NOT TWIST; APPLY EXCESSIVE FORCES OR SHARP BENDS TO THE CABLE. DO NOT FORCEFULLY DEFORM WIRES.
- (iii) CONSULT CONNECTOR MANUFACTURER'S DATASHEETS FOR DETAILED NOTES ON HANDLING INSTRUCTIONS.

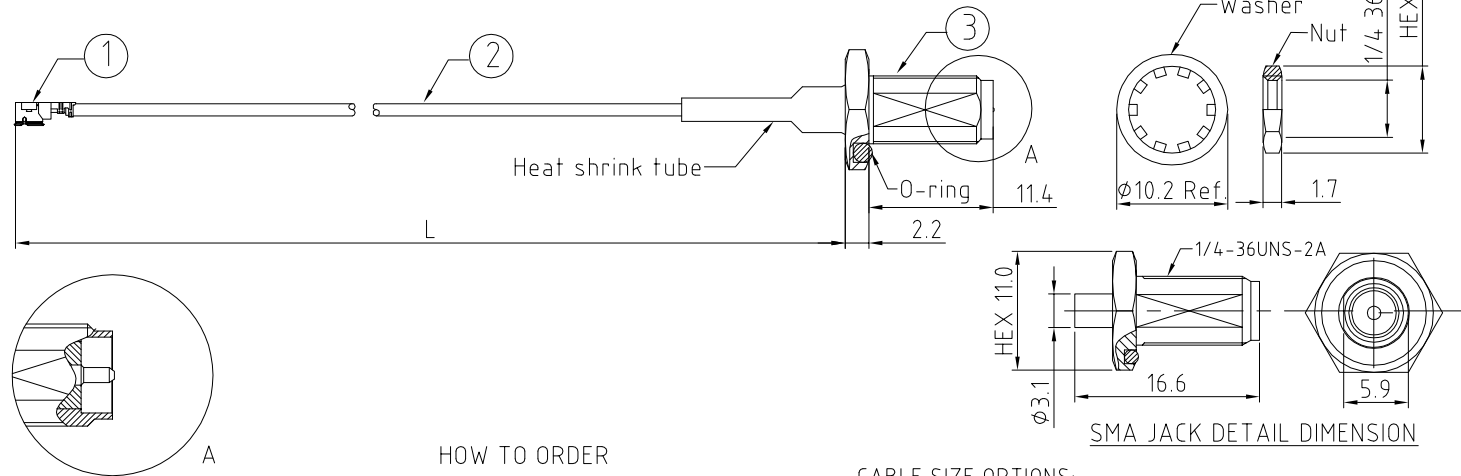
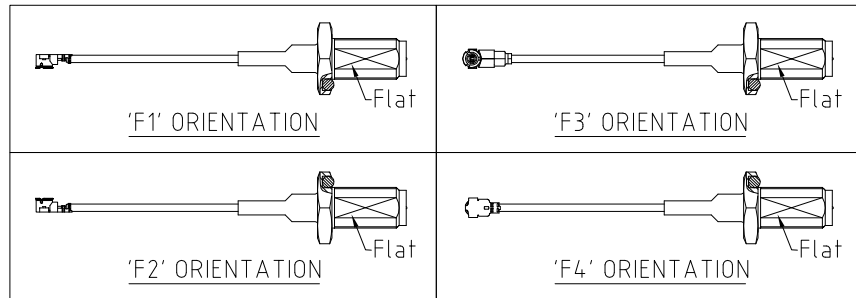


CHART OF CABLE AND CONNECTOR P/N

CABLE ϕ & COLOR	I-PEX P/N	SMA P/N
ϕ 1.13, GRAY	20278-112R-13	C20AD31113005B
ϕ 1.32, ϕ 1.32DS, GRAY	20278-112R-32	C20AD31132005B
ϕ 1.37, BLACK	20351-112R-37	C20AD31137005B
ϕ 1.48, BLACK	20351-112R-37	C20AD31148005B
RG178, BROWN	20278-112R-18	C20AD31178005B



HOW TO ORDER
CABLE 090 RF - X X X - X X - X - X

"L" LENGTH IN MM

eg: 100MM = 0100

(MIN. 025-MAX.400

STANDARD = 100, 150, 200)

Tolerance: <50mm : \pm 2mm.

51-200mm: \pm 5mm.

201-400mm: \pm 7mm.

ORIENTATION OPTIONS:

BLANK = DOES NOT HAVE A FIXED ORIENTATION

F1 = MHF CONNECTION DOWN (L=25-100MM)

F2 = MHF CONNECTION UP (L=25-100MM)

F3 = MHF CONNECTION AND D FLAT SAME ORIENTATION (L=25-100MM)

F4 = MHF CONNECTION AND D FLAT OPPOSITE ORIENTATION (L=25-100MM)

(SEE NOTES 1, 2, 3 AND DIAGRAMS FOR MORE INFORMATION)

CABLE SIZE OPTIONS:

BLANK = ϕ 1.13MM CABLE

1 = ϕ 1.32MM CABLE

2 = ϕ 1.37MM CABLE

3 = ϕ 1.48MM CABLE

4 = RG178 CABLE

5 = ϕ 1.13MM LOW LOSS CABLE

6 = ϕ 1.32MM DUAL SHIELD CABLE

WASHER AND NUT OPTIONS:

BLANK = SEPERATELY PACKED (STANDARD)

A = ASSEMBLED WITH CONNECTOR



REV. DATE & DRN	10 09/17/09-NYW RELEASE
11	11/17/09-NYW ADD DIRECTION OPTION
12	22/03/10-NYW ADD MULTIPLE CABLE SIZES
13	11/11/10-NYW AMEND ORIENTATION DESCRIPTION ON PART#
14	16/11/15-NYW ADD F3 & F4 ORIENTATION OPTIONS
15	19/10/17-NYW ADD CABLE SIZE OPTION 5.
16	15/07/19-NYW ADD CABLE SIZE OPTION 6.
17	05/03/20-NYW AMEND IPEX RG178 P/N. ADD NOTES 3&6.

Scale: NTS	THIRD ANGLE	Unstated X .XX .XXX ANGLES	Tolerances: N/A N/A N/A	Material SEE NOTE
Drawn: NYW				
App'd: XXX	Title CABLE ASSEMBLY			NOT TO SCALE
Date: 5 MAR '20	Revision: 1.7			Unit: mm

www.gradconn.com

© THIS DRAWING IS CONFIDENTIAL AND MUST NOT BE COPIED OR DISCLOSED WITHOUT WRITTEN CONSENT

Type: Cable 090 RF
CABLE 090 RF
Drawing Number:
Sheet 1 of 1
Drawing © E and O E